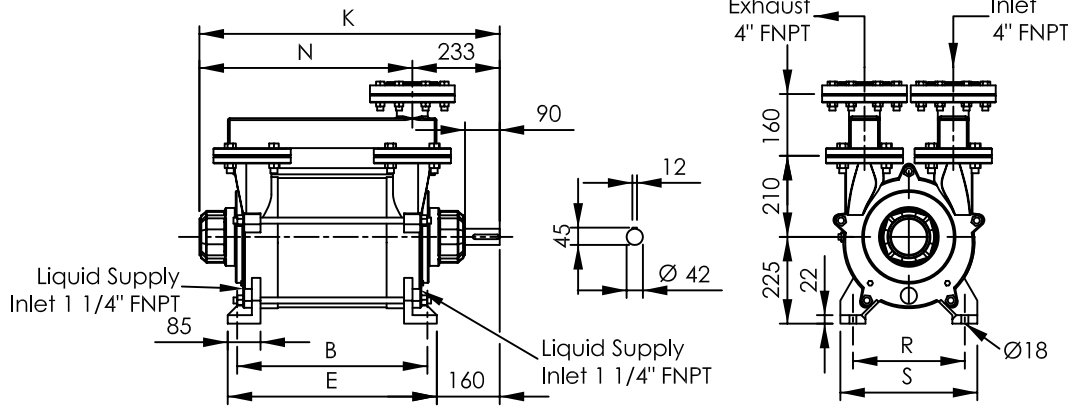


Bareshaft Construction with Mechanical Seal

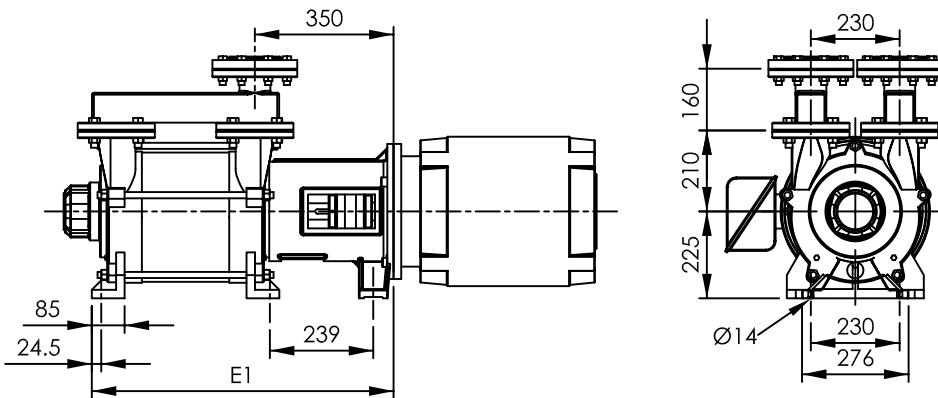
SECTIONAL DRAWING
LIQUID RING VACUUM PUMP
TRAVAINI PUMP MODEL

SERIES TRS 100



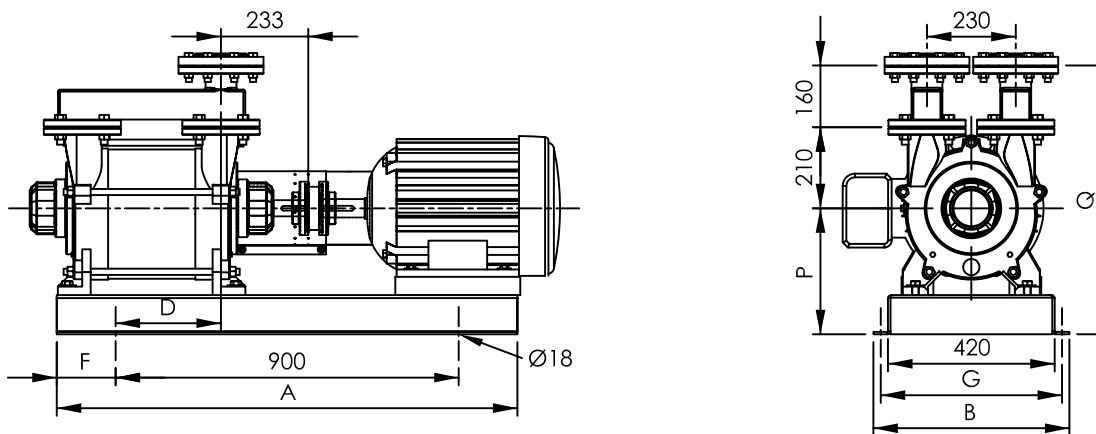
Pump Type	B	E	K	N	R	S	Weight ¹ (Kg.)
TRSC 100-550/C	447	496	722	489	290	355	200
TRSC 100-700/C	512	561	787	554	290	355	230
TRSB 100-980/C	560	600	833	610	310	375	280

Close-Coupled Construction with Mechanical Seal



Pump Type	4 Poles Motor HP	Pump E1	Weight ¹ (Kg.)
TRSC 100-550/C	20	763	225
	25		
TRSC 100-700/C	25	828	255
	30		
TRSB 100-980/C	40	848	275
	50		

Base-Mounted Construction (Baseplate-Coupling) with Mechanical Seal



Pump Type	4 Poles Motor HP	Base Plate	Pump							Weight ¹ (Kg.)
			A	B	D	F	G	P	Q	
TRSC 100-550/C	25	907	1200	510	275	150	470	325	695	327
TRSC 100-700/C	30	41	1350	560	266	225	510	355	725	380
	40									384
TRSB 100-980/C	50	911	1524	533	315	229	495	327	697	418

¹ Weight without motor

The weights are referred to GH construction

Dimensions in mm



Premier Fluid Systems
Canadian Home of Travaini Pumps

4161 Morris Dr. - Unit 5 * Burlington * Ontario * L7L 5L5 * Website: www.pfspumps.com
Tel: 1-800-461-2611 or 905-637-2611 * Fax: 905-333-4722 * email: info@pfspumps.com

DATE : APRIL 2009

N°.: 5.19