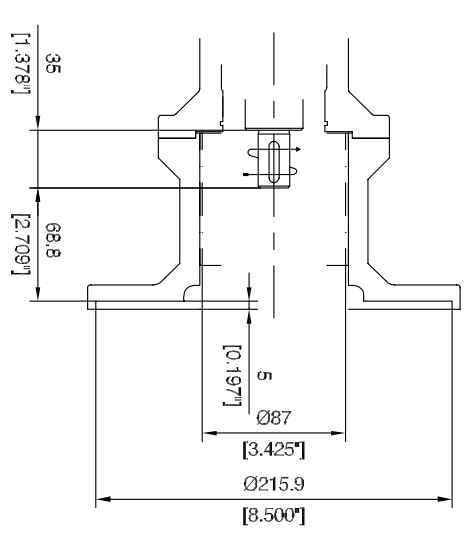
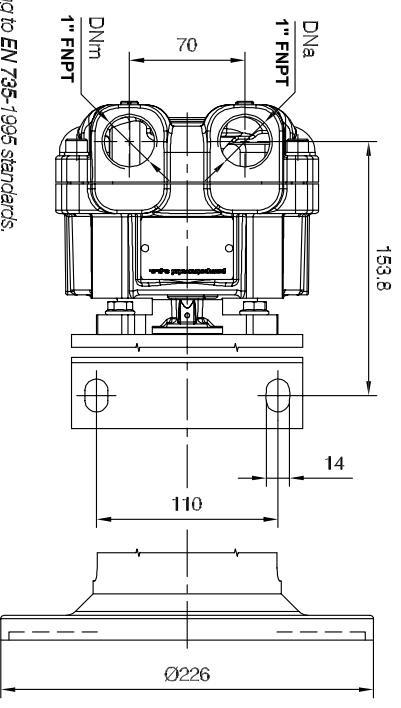
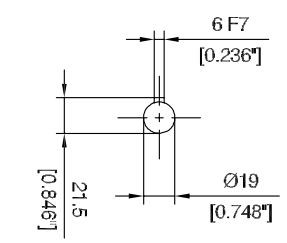
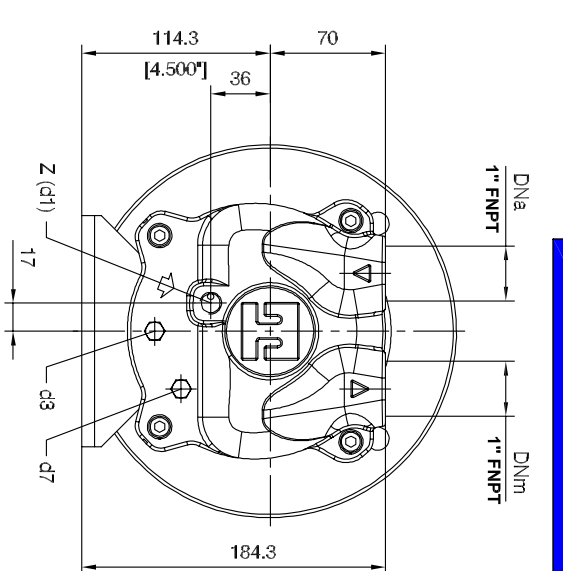
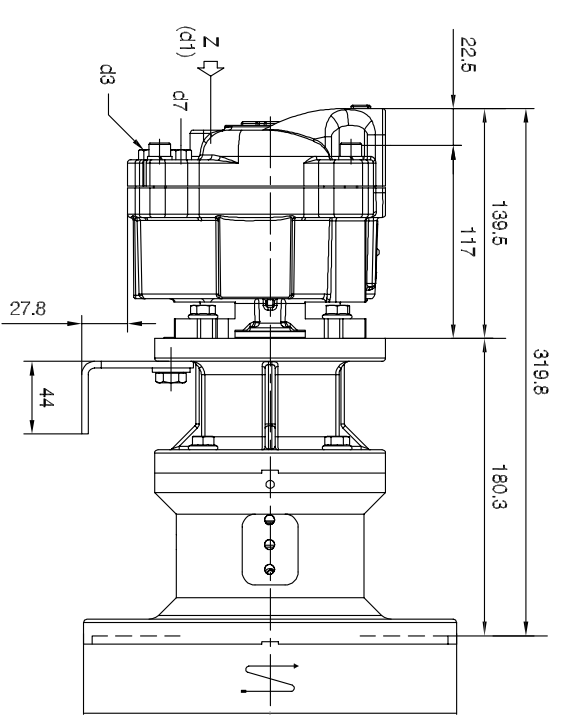
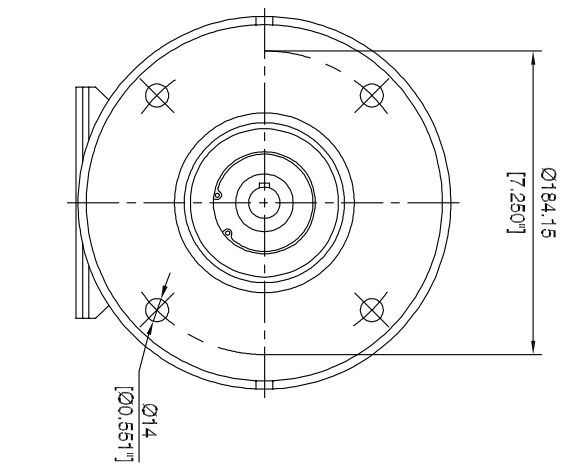


Overall Dimensions/ Bareshaft



Note :
 (*) Schematic drawing. Dimensions in mm with tolerances according to EN 735-1995 standards.

Pump type	Weight	Ml	Lt
TRVX 257	20	0.006	0.4
		kgm ²	Lt
		Ml	Max Moment of Inertia at start-up

Lt Water quantity at shaft axis in liters
 Ml Max Moment of Inertia at start-up
 d1: 1/4" FNPT - FOR LIQUID SUPPLY INLET
 d3: 1/8" FNPT PLUG- FOR PUMP CASING DRAIN
 d7: 1/8" FNPT PLUG- FOR ANTICAVITATION VALVE

DIMENSIONAL DRAWING
LIQUID RING VACUUM PUMP
TRAVANI MODEL
TRVX 257/1-C/N



Premier Fluid Systems
 Canadian Home of Travani Pumps

4161 Morrid Drive Burlington Ontario L7L 5L5
 Tel: 800-461-2611 or 905-637-2611 Fax: 905-333-4722
 E-mail: info@pfsumps.com Website: www.pfsumps.com

DATE : OCT 2011

Nº : 6.18.5