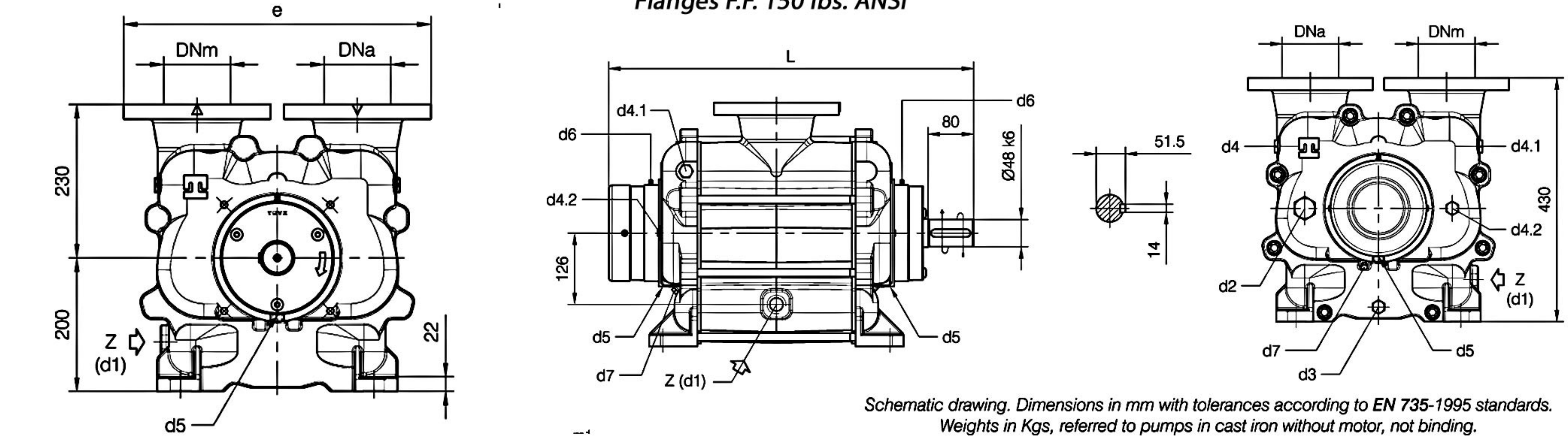
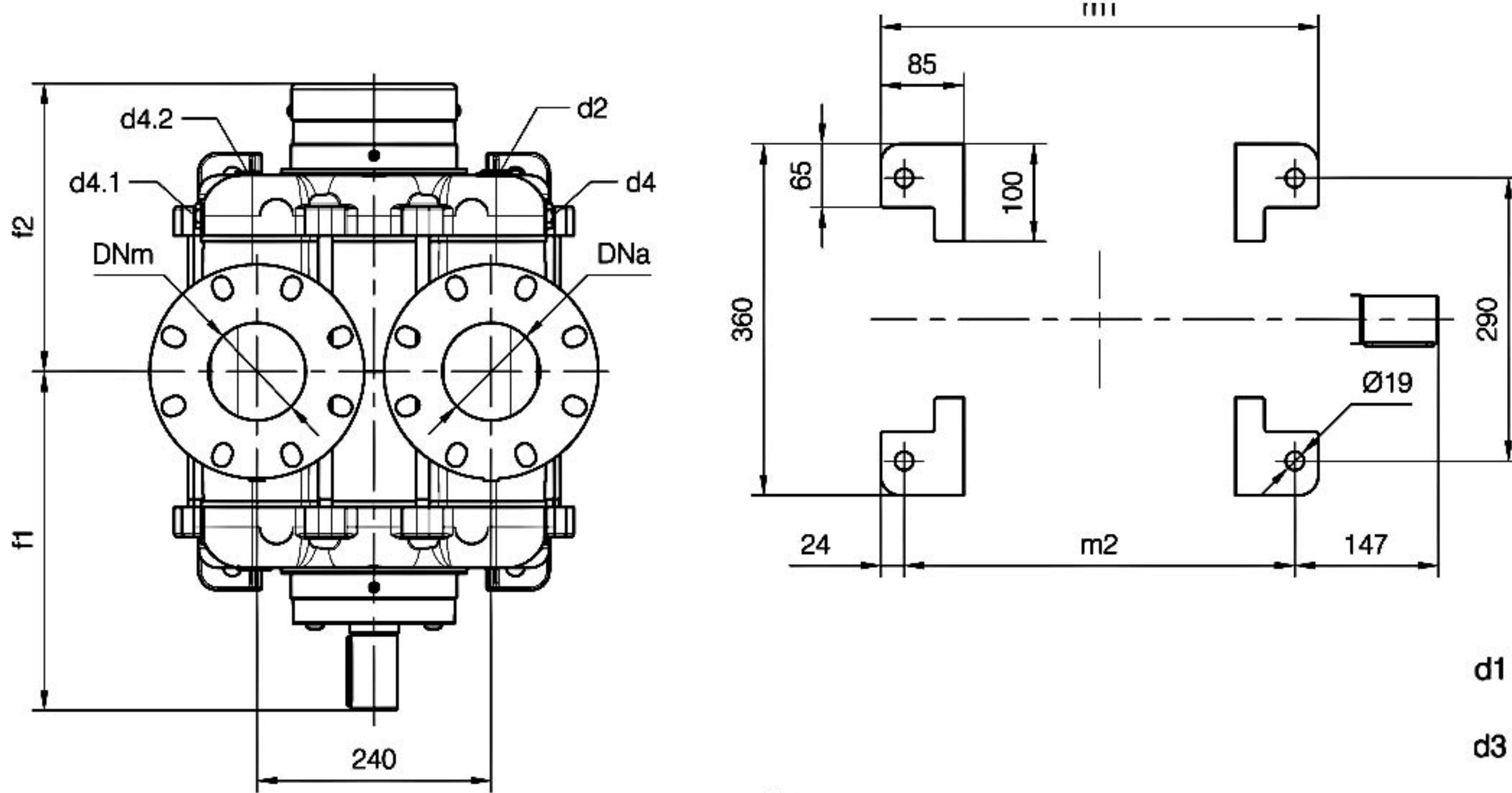


Bareshaft Construction with Mechanical Seal

Flanges F.F. 150 lbs. ANSI



Schematic drawing. Dimensions in mm with tolerances according to EN 735-1995 standards. Weights in Kgs, referred to pumps in cast iron without motor, not binding.



Pump type	Construction dimensions, Pump Bareshaft										
	DNa	DNm	e	L	f1	f2	m1	m2	Weight	Mi kgm ²	Lt
TRVX 1003	4"	4"	460	592	322	270	397	349	152	0.40	8.5
TRVX 1005	4"	4"	460	642	347	295	448	400	165	0.43	9
TRVX 1007	4"	4"	460	642	347	295	448	400	170	0.47	10

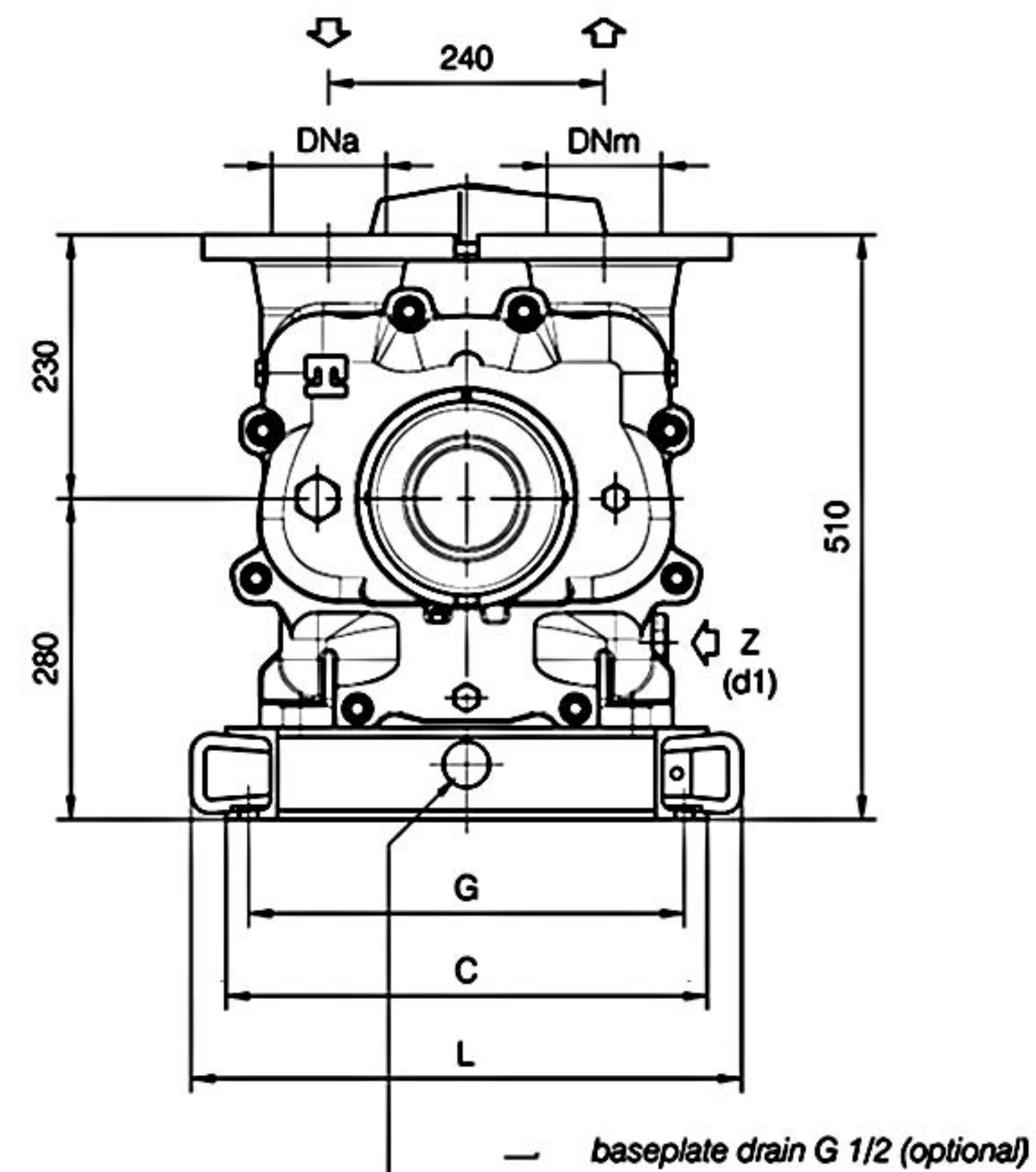
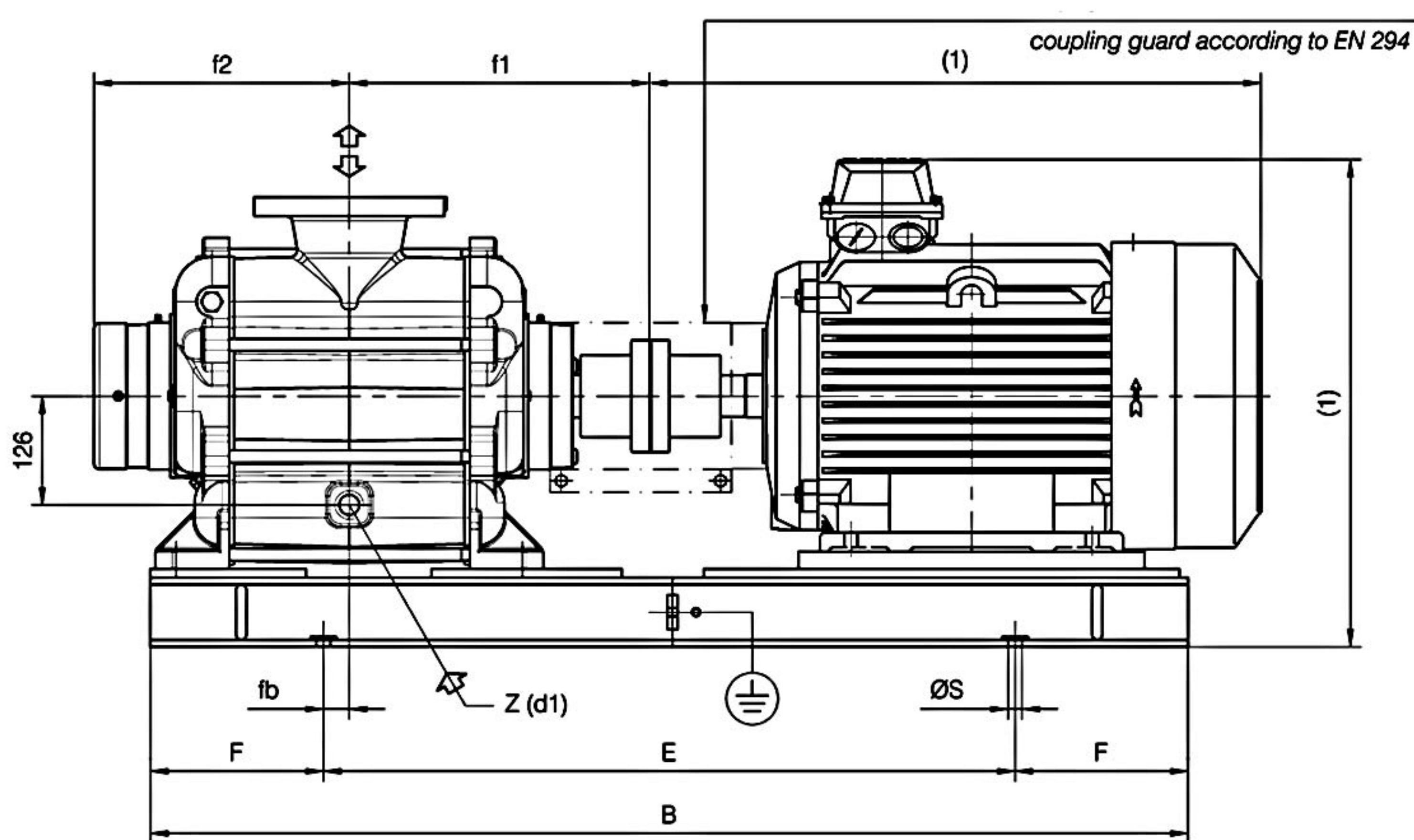
Note :

Lt Water quantity at shaft axis in liters

Mi Max Moment of Inertia at start-up

- d1 1" threaded connection - for liquid supply inlet
- d2 1" plugged connection - auxiliary connection
- d3 1/2" plugged connection - for pump casing drain
- d4 1/2" plugged connection - for manovacuum gauge
- d4.1 1/2" plugged connection - for auxiliary instrumentation
- d4.2 1/2" plugged connection - for auxiliary instrumentation
- d5 1/8" threaded connection - for mechanical seal drain
- d6 Greaser connection - for ball bearings type 3210 and 6310 lubrication
- d7 1/8" plugged connection - for anticavitation valve

Base-Mounted Construction (Baseplate-Coupling) with Mechanical Seal



d1 1" threaded connection - for liquid supply inlet (1) Dimensions depend on installed motor manufacturer.

Pump Type	4 Poles Motor HP	Base Plate	Construction Dimensions					Weight ¹ (Kg.)
			Dna	DNm	f1	f2	fb	
TRVX 1003	20	147F	4"	4"	322	270	30	212
	30							
TRVX 1005	25	147F	4"	4"	347	295	30	225
	40							
TRVX 1007	30	147F	4"	4"	347	295	30	230
	40/50							

¹ Weight without motor
The weights are referred to RX construction
Dimensions in mm

Baseplate dimensions									
N°	B	C	E	F	L	G	ØS	N° holes	
147F	1372	538	538	63.5	548	492	5/8"	4	



Premier Fluid Systems
Canadian Home of Travaini Pumps

4161 Morris Dr. - Unit 5 * Burlington * Ontario * L7L 5L5 * Website: www.pfspumps.com
Tel: 1-800-461-2611 or 905-637-2611 * Fax: 905-333-4722 * email: info@pfspumps.com

DATE : MAR 2012

N°.: 6.54