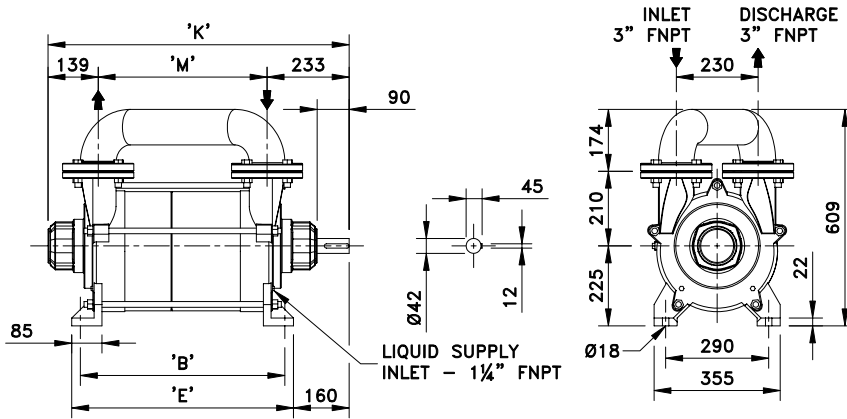


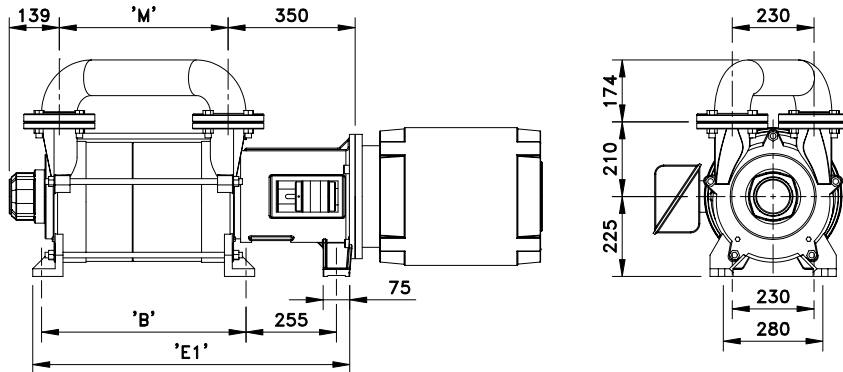
Bareshaft Construction with Mechanical Seal

DIMENSIONAL DRAWING
LIQUID RING VACUUM PUMP
TRAVAINI PUMP MODEL
SERIES TRHC 80



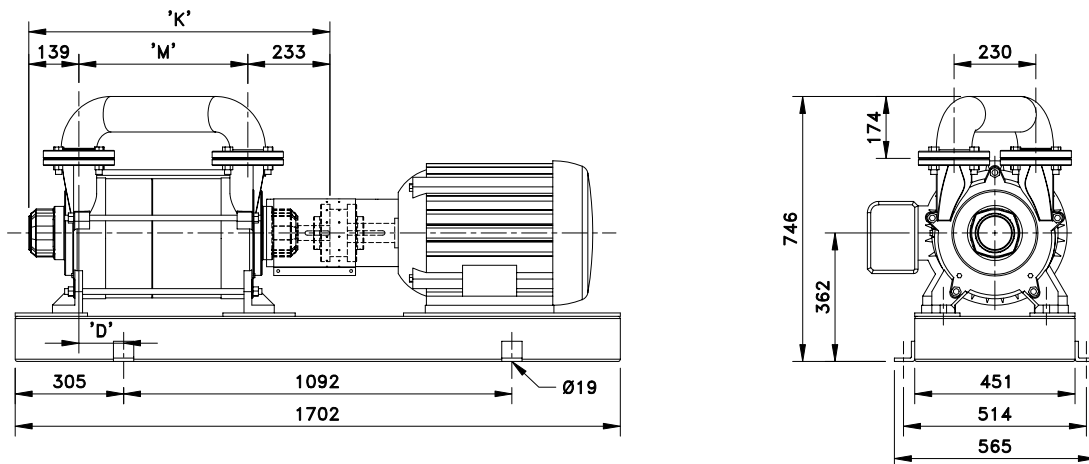
PUMP TYPE	'B'	'E'	'M'	'K'	WEIGHT (KG.)
TRHC 80-600/C	575	624	475	847	220
TRHC 80-750/C	600	709	560	932	240

Close-Coupled Construction with Mechanical Seal



PUMP TYPE	4 POLES MOTOR HP	'E1'	'L1'	'M'	WEIGHT ¹ (KG.)
TRHC 80-600/C	20	891	475	575	245
	25				
	30				
TRHC 80-750/C	30	976	560	660	265
	40				
	50				

Base-Mounted Construction (Baseplate-Coupling) with Mechanical Seal



PUMP TYPE	4 POLES MOTOR HP	BASE PLATE	'D'	PUMP 'K'	'M'	WEIGHT ² (KG.)
TRHC 80-600/C	20	34F	178	847	475	360
	25					
	30					
TRHC 80-750/C	30		216	932	560	372
	40					377
	50					370
	60					

¹Weight without motor (Close-Coupled)
²Weight without motor (Baseplate-Coupling)
 Dimensions in mm



Premier Fluid Systems
 Canadian Home of Travaini Pumps

4161 Morris Dr. - Unit 5 * Burlington * Ontario * L7L 5L5 * Website: www.pfspumps.com
 Tel: 1-800-461-2611 or 905-637-2611 * Fax: 905-333-4722 * email: info@pfspumps.com

DATE : JUNE 2006

No.: 7.33