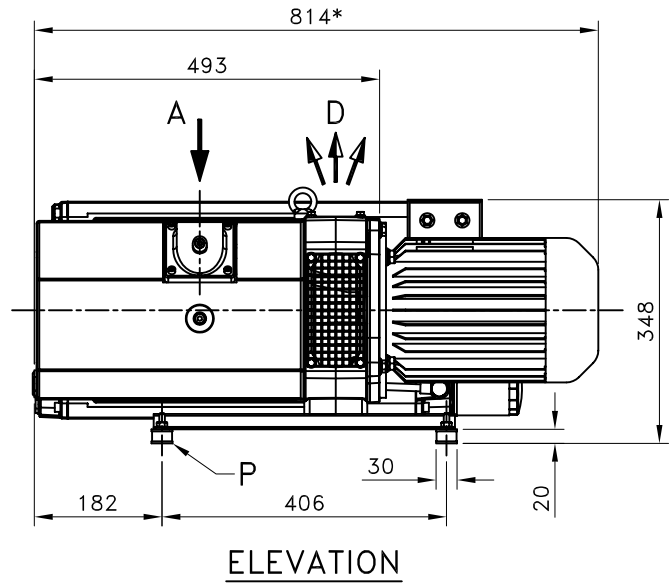
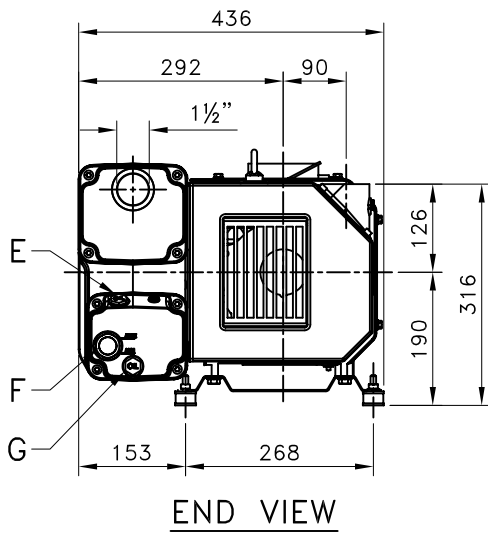
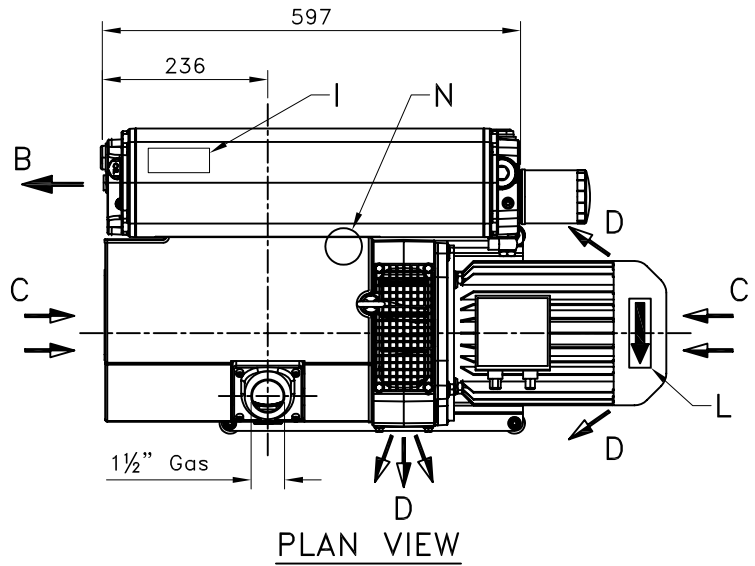


**DIMENSIONAL DRAWING
ROTARY VANE VACUUM PUMP
ROTANT PUMP MODEL**

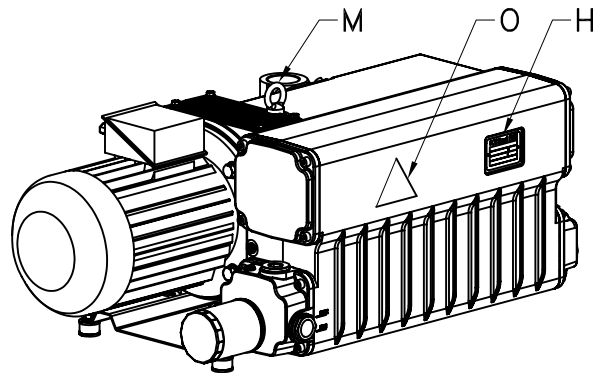
EU-EU/B 160



ITEM	FUNCTION
A	VACUUM INLET
B	EXHAUST
C	COOLING AIR INLET
D	COOLING AIR OUTLET
E	OIL FILL PLUG
F	OIL LEVEL SIGHT GLASS
G	OIL DRAIN PLUG
H	PUMP NAME PLATE
I	OIL GRADE LABEL
L	PUMP ROTATION DIRECTION PLATE
M	LIFTING EYEBOLT
N	GAS BALLAST VALVE
O	HOT SURFACES NAME PLATE
P	VIBRATION DAMPER

DIMENSIONS IN mm

* DIMENSIONS SUBJECT TO CHANGE DEPENDING ON THE MOTOR BRAND



Premier Fluid Systems
Canadian Home of Travaini Pumps

4161 Morris Dr. - Unit 5 * Burlington * Ontario * L7L 5L5 * Website: www.pfspumps.com
Tel: 1-800-461-2611 or 905-637-2611 * Fax: 905-333-4722 * email: info@pfspumps.com

DATE : APRIL 2006

No.: 8.22