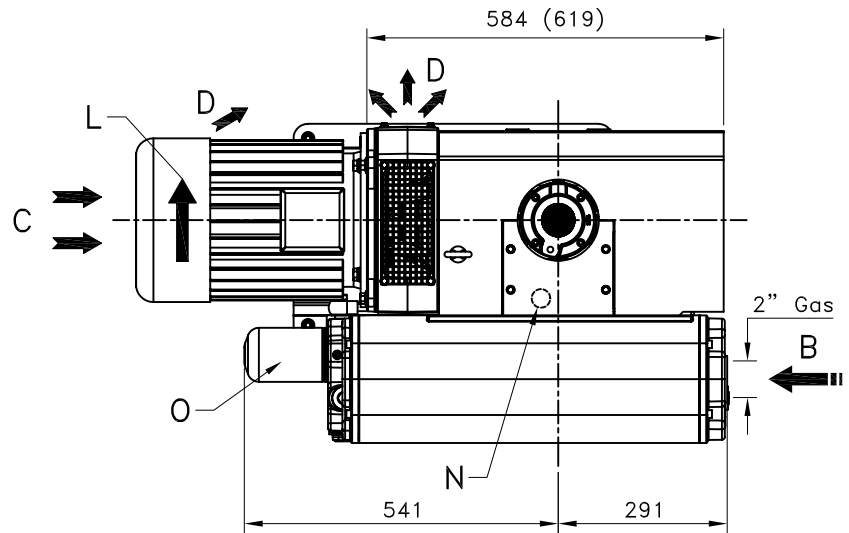
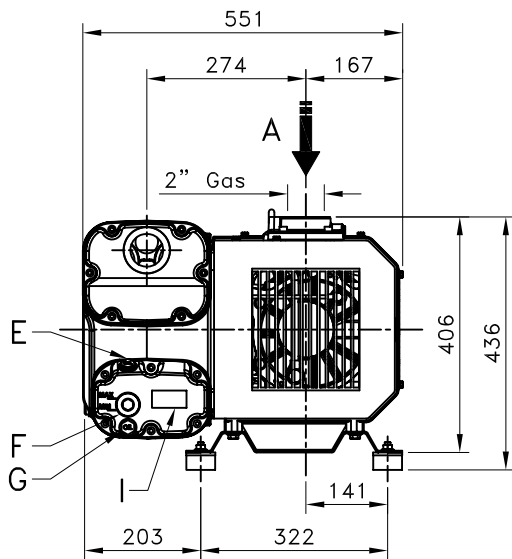


**DIMENSIONAL DRAWING
ROTARY VANE VACUUM PUMP
ROTANT PUMP MODEL**

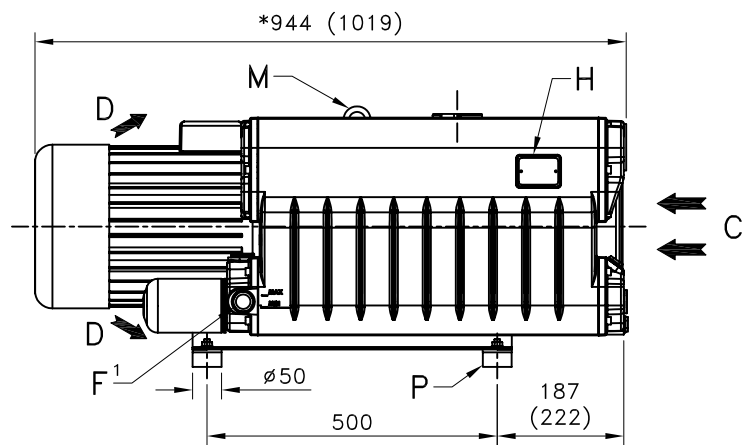
EU-EU/B 205-300



PLAN VIEW



END VIEW

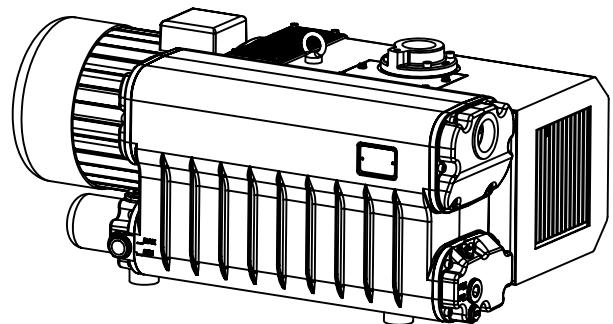


ELEVATION

DIMENSIONS IN mm

* DIMENSIONS SUBJECT TO CHANGE DEPENDING ON THE MOTOR BRAND

| ITEM | FUNCTION |
|----------------|-------------------------------|
| A | VACUUM INLET |
| B | EXHAUST |
| C | COOLING AIR INLET |
| D | COOLING AIR OUTLET |
| E | OIL FILL PLUG |
| F | MAXIMUM OIL LEVEL SIGHT GLASS |
| F ¹ | MINIMUM OIL LEVEL SIGHT GLASS |
| G | OIL DRAIN PLUG |
| H | PUMP NAME PLATE |
| I | OIL GRADE LABEL |
| L | PUMP ROTATION DIRECTION PLATE |
| M | LIFTING EYEBOLT |
| N | GAS BALLAST VALVE |
| O | OIL FILTER |
| P | VIBRATION DAMPER |



Premier Fluid Systems
Canadian Home of Travaini Pumps

4161 Morris Dr. - Unit 5 * Burlington * Ontario * L7L 5L5 * Website: www.pfspumps.com
Tel: 1-800-461-2611 or 905-637-2611 * Fax: 905-333-4722 * email: info@pfspumps.com

DATE : Oct 2008

No.: 8.27