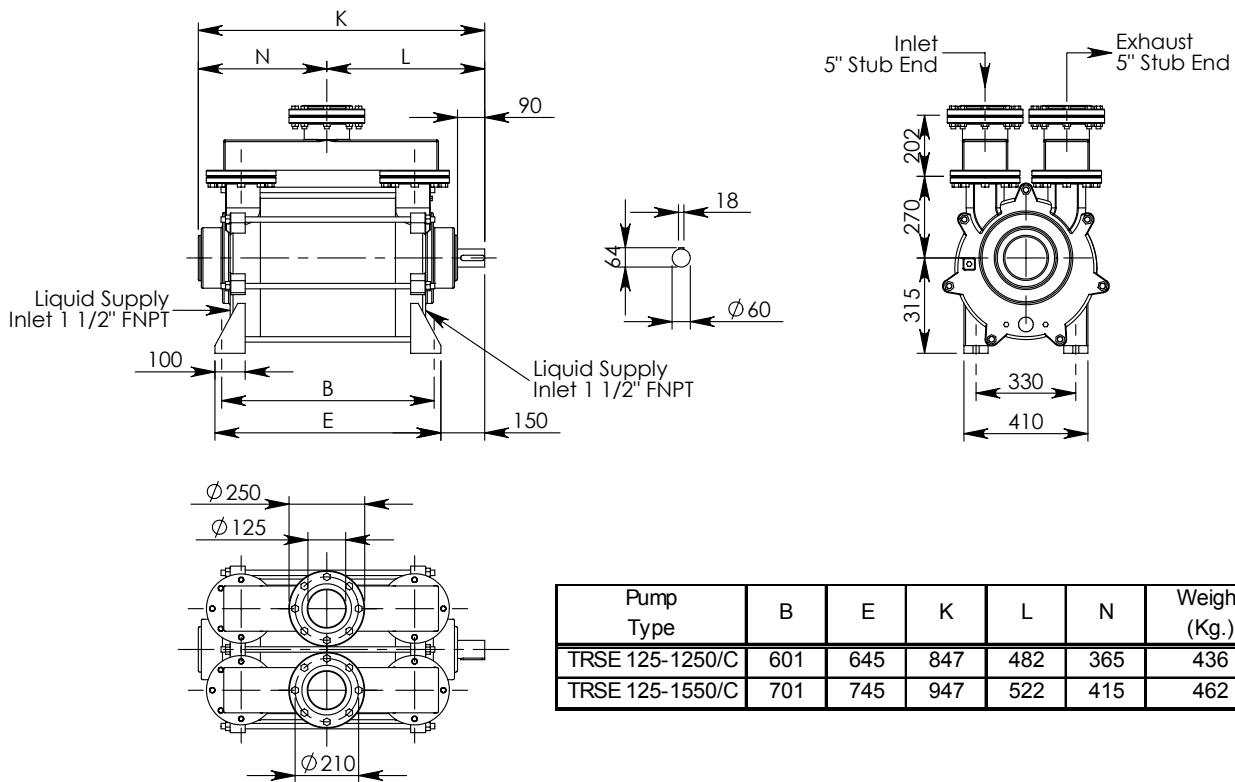
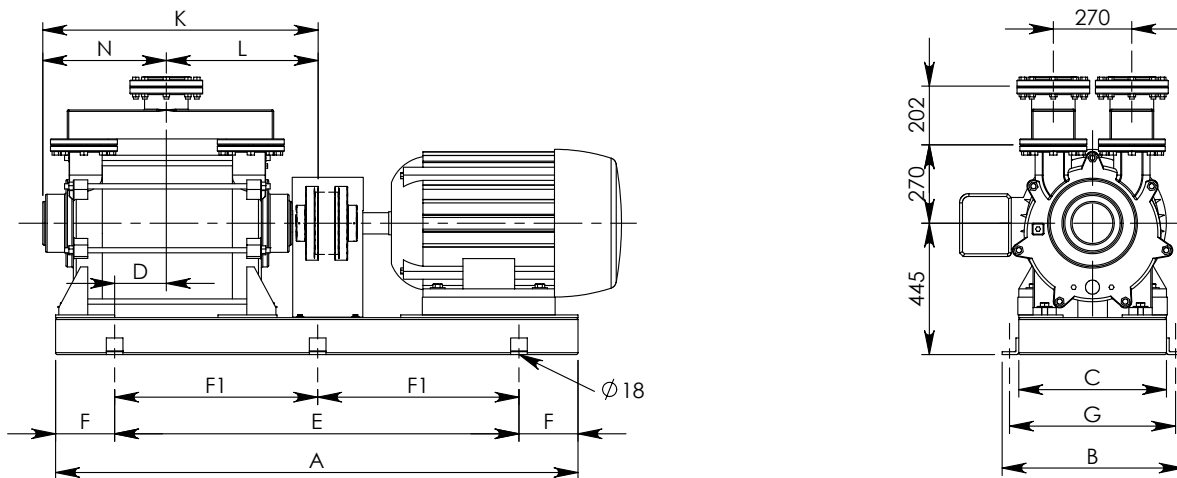


**Bareshaft Construction with Mechanical Seal**



Pump Type	B	E	K	L	N	Weight (Kg.)
TRSE 125-1250/C	601	645	847	482	365	436
TRSE 125-1550/C	701	745	947	522	415	462

**Base-Mounted Construction (Baseplate-Coupling) with Mechanical Seal**



Pump Type	6 Poles Motor HP	Base Plate	A	B	C	D	E	F	F1	G	Weight <sup>1</sup> (Kg.)
TRSE 125-1250/C	40	034	1700	590	450	220	1100	300	-	540	599
	50	042	1800	640	500		1400	200	700	590	596
	60	039	2150	680	540	420	1600	275	800	630	608
75	360					634					
TRSE 125-1550/C	60	039	2150	680	540	360	1600	275	800	630	634
	75										

<sup>1</sup> Weight without motor  
The weights are referred to GH construction  
Dimensions in mm



**Premier Fluid Systems**  
Canadian Home of Travaini Pumps

4161 Morris Dr. - Unit 5 \* Burlington \* Ontario \* L7L 5L5 \* Website: [www.pfspumps.com](http://www.pfspumps.com)  
Tel: 1-800-461-2611 or 905-637-2611 \* Fax: 905-333-4722 \* email: [info@pfspumps.com](mailto:info@pfspumps.com)

**DATE : MARCH 2002**

**N°.: 5.24**