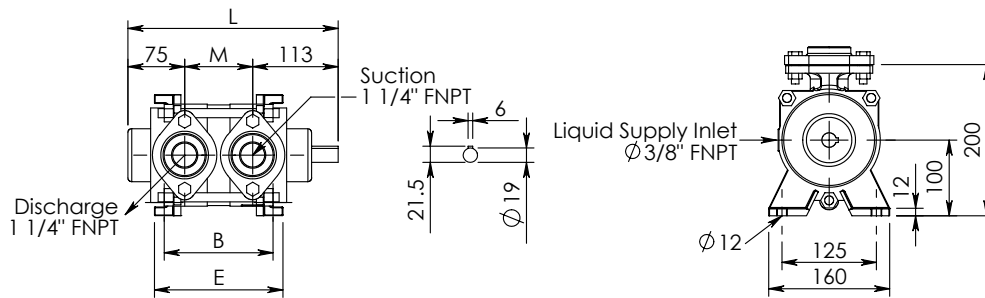
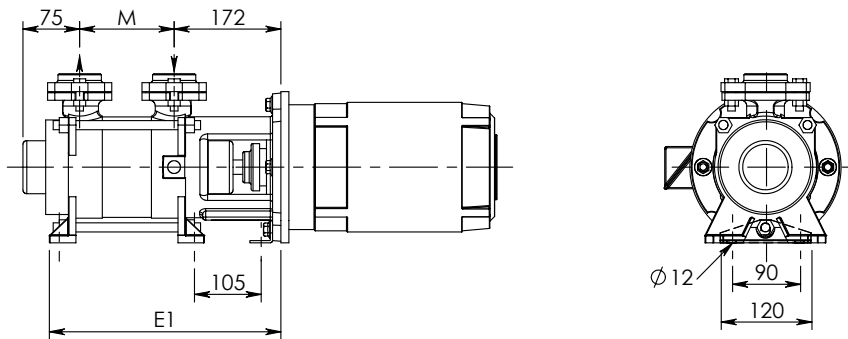


Bareshaft Construction with Mechanical Seal

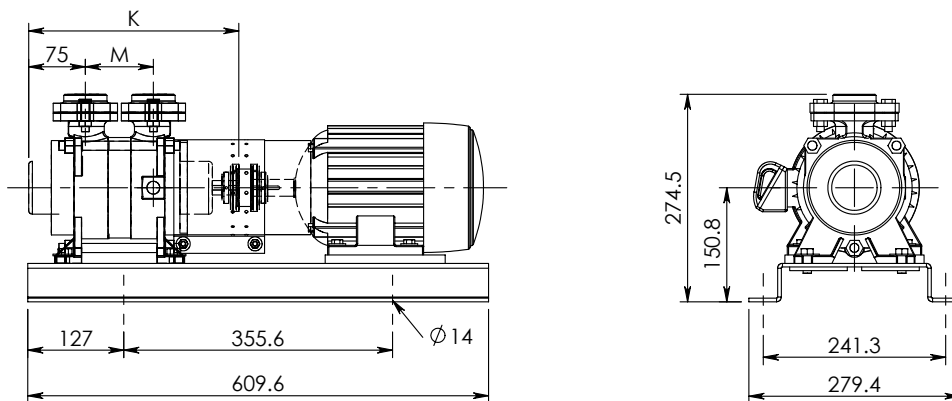


Pump Type	B	E	M	L	Weight (Kg.)
TRSE 32-20/C	144	170	90	278	15
TRSE 32-50/C	179	205	125	313	17

Closed-Coupled Construction with Mechanical Seal



Base-Mounted Construction (Baseplate-Coupling) with Mechanical Seal



Pump Type	2 Poles Motor HP	Base Plate No.	Pump			Weight ¹ kg.	Weight ² kg.
			K	M	E1		
TRSE 32-20/C	1½	902	283	90	302	20	31
TRSE 32-50/C	3		318	125	337	22	33

1 Weight without motor (closed-coupled)
2 Weight without motor (baseplate-coupling)

The weights are referred to RZ construction

Schematic drawings - Dimensions in mm
with tolerances according to EN 725-1995,
weights in Kgs. not binding.



Premier Fluid Systems
Canadian Home of Travaini Pumps

4161 Morris Dr. - Unit 5 * Burlington * Ontario * L7L 5L5 * Website: www.pfspumps.com

Tel: 1-800-461-2611 or 905-637-2611 * Fax: 905-333-4722 * email: info@pfspumps.com

DATE : MARCH 2002

N°.: 5.5