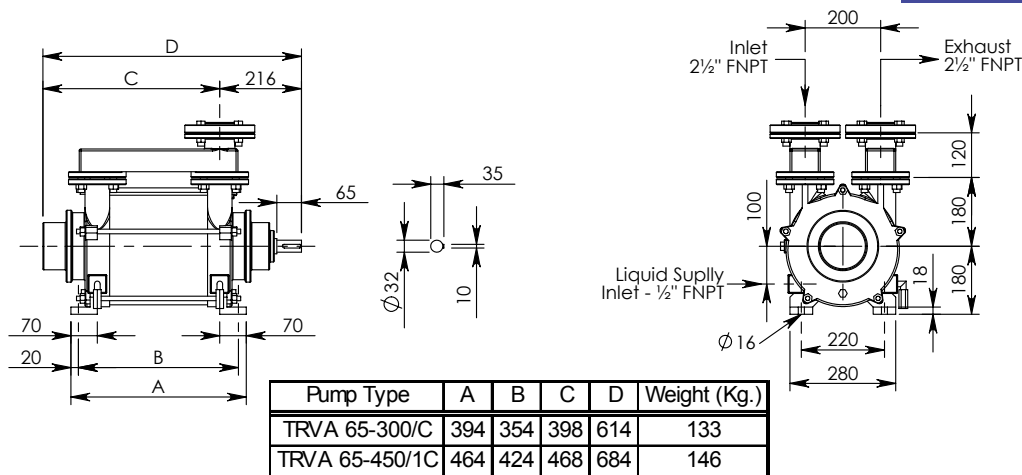
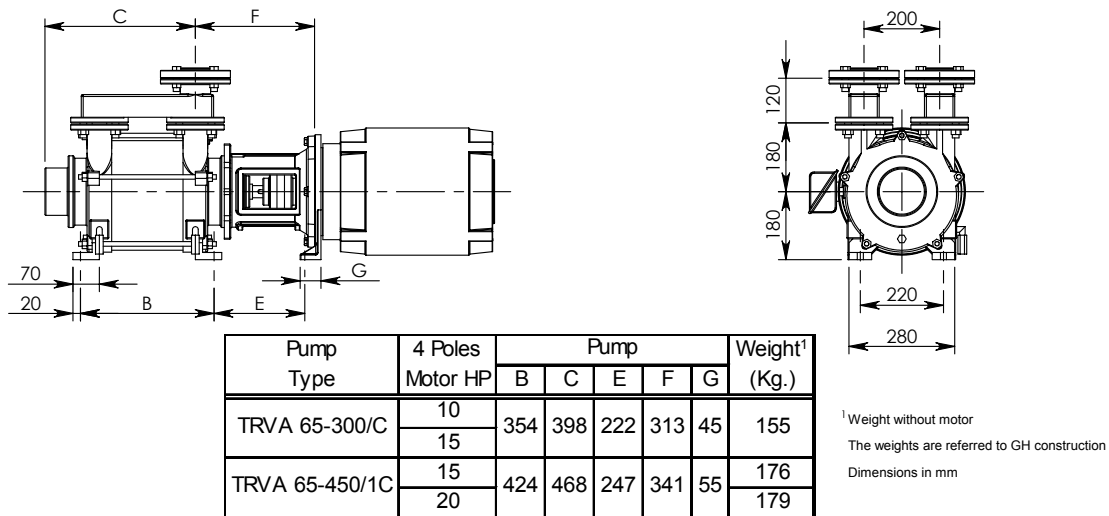


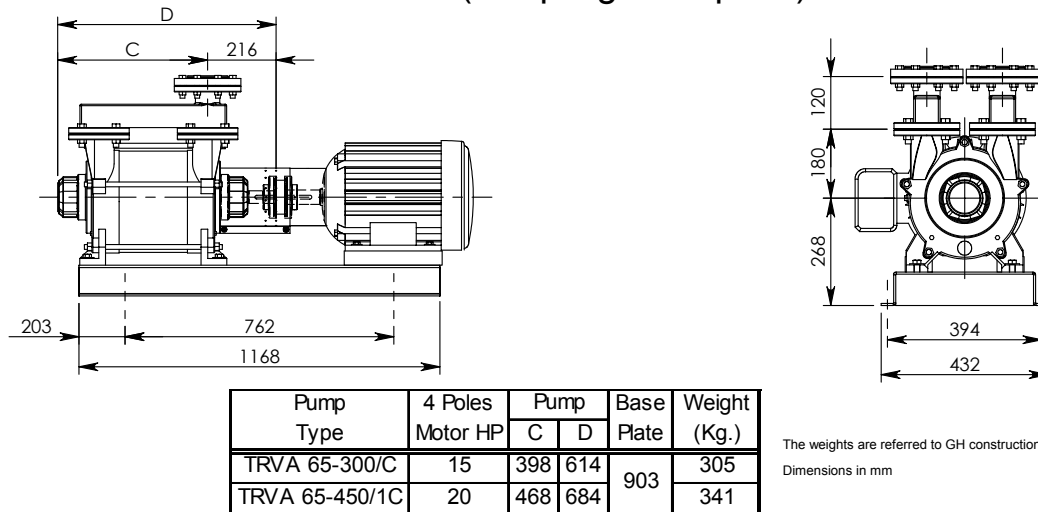
Bareshaft Construction with Mechanical Seal



Close-Coupled Construction with Mechanical Seal



Base-Mounted Construction (Coupling-Baseplate) with Mechanical Seal



Premier Fluid Systems
Canadian Home of Travaini Pumps

4161 Morris Dr. - Unit 5 * Burlington * Ontario * L7L 5L5 * Website: www.pfspumps.com
Tel: 1-800-461-2611 or 905-637-2611 * Fax: 905-333-4722 * email: info@pfspumps.com

DATE : MARCH 2002

N°.: 6.34