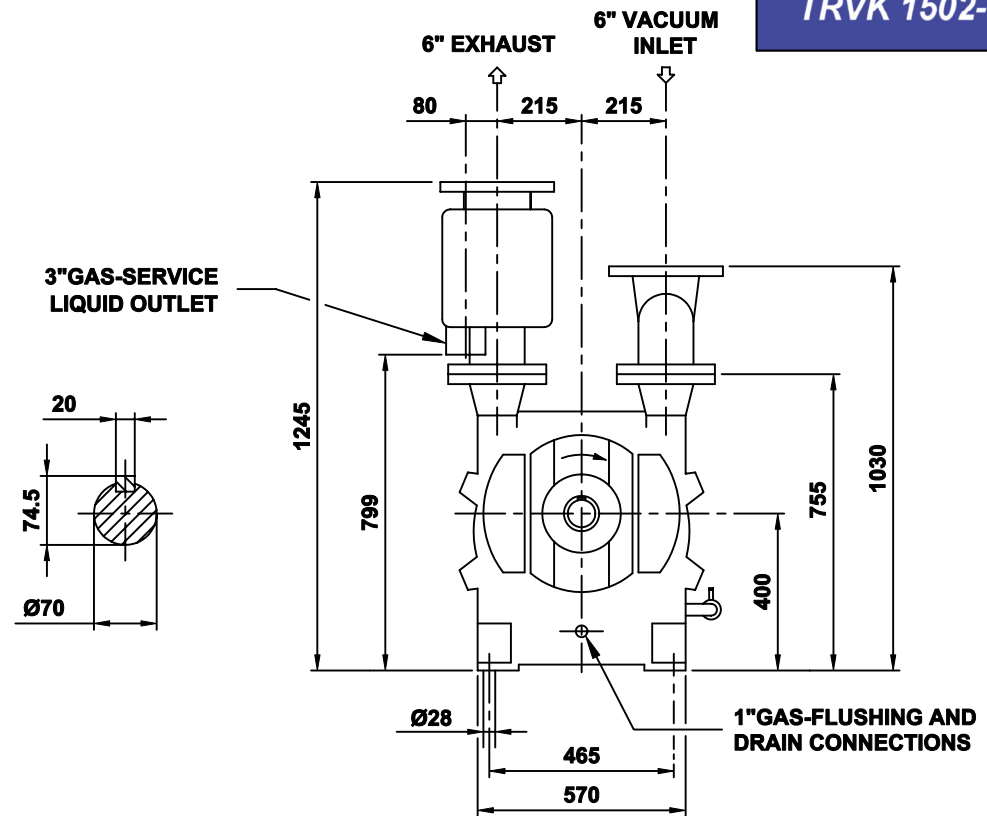
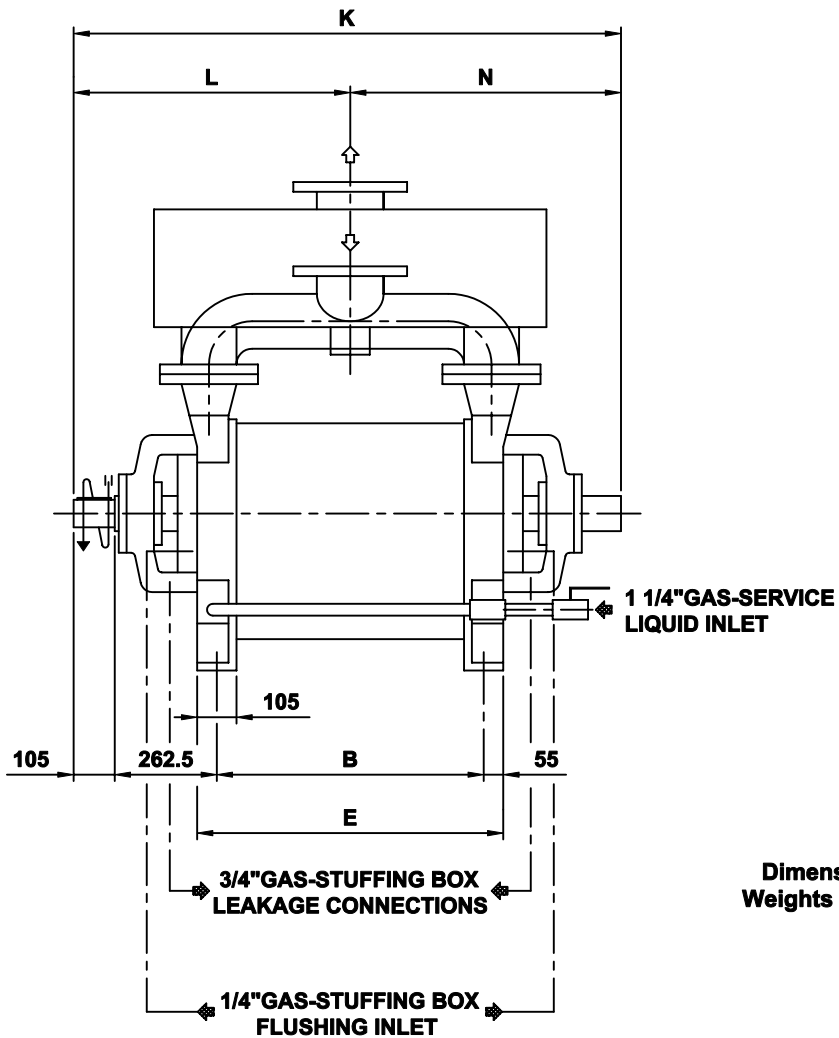


DIMENSIONAL DRAWING  
LIQUID RING VACUUM PUMP  
TRAVAINI PUMP MODEL

**TRVK 1502-1503/B**



Dimension in mm, weights in Kg.  
Weights referred to GH construction

MODEL	B	E	K	L	N	WEIGHT
TRVK 1502/B	525	635	1237	630	607	850
TRVK 1503/B	675	785	1395	705	690	1043



**Premier Fluid Systems**  
Canadian Home of Travaini Pumps

4161 Morris Dr. - Unit 5 \* Burlington \* Ontario \* L7L 5L5 \* Website: [www.pfspumps.com](http://www.pfspumps.com)  
Tel: 1-800-461-2611 or 905-637-2611 \* Fax: 905-333-4722 \* email: [info@pfspumps.com](mailto:info@pfspumps.com)

DATE : MARCH 2002

N°.: 6.39