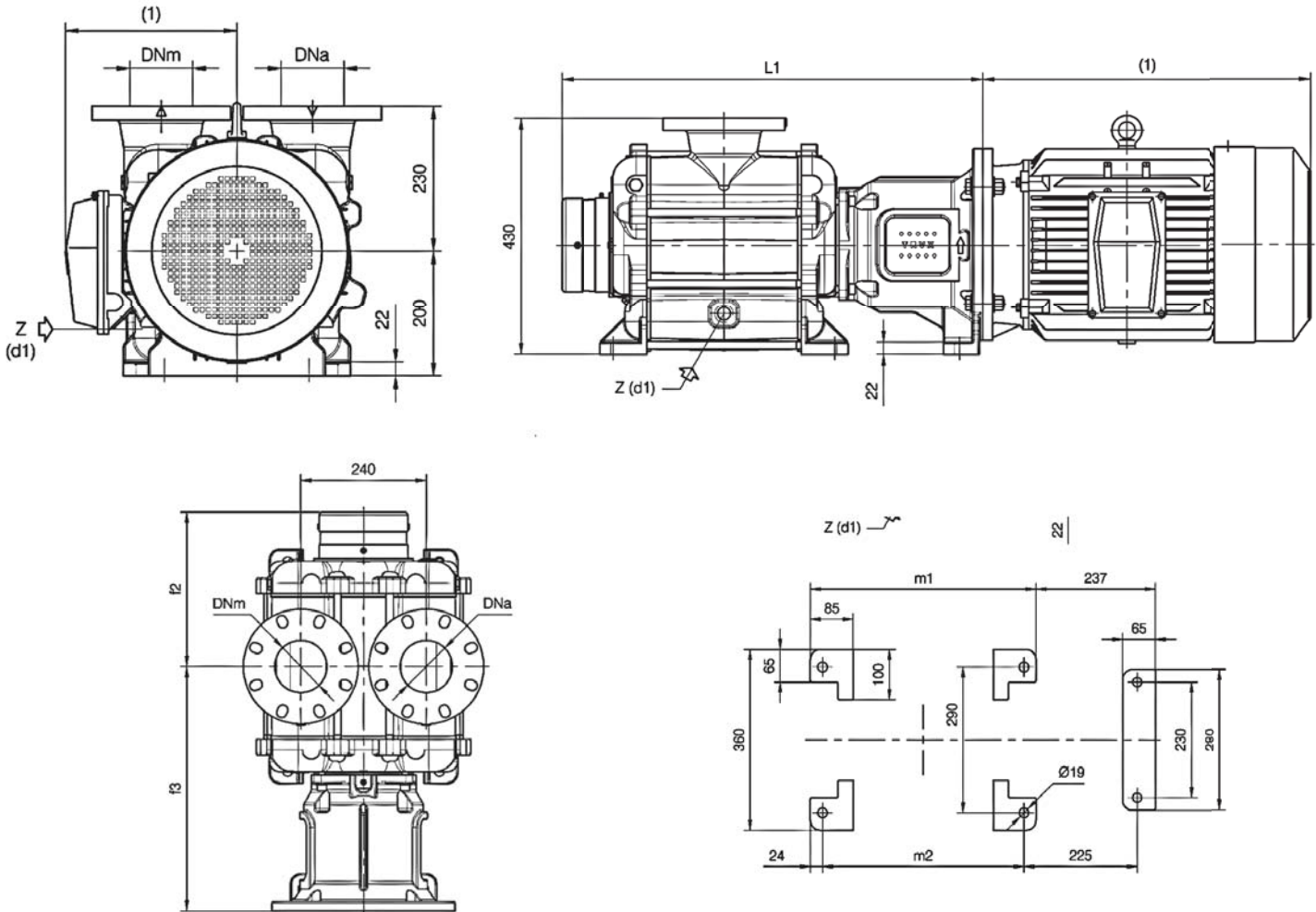


Close-Coupled Construction with Mechanical Seal



(1) Dimensions depend on installed motor manufacturer. Z (d1) 1" threaded connection - for liquid supply inlet

Close-coupled construction dimensions								
Pump type	motor 284-286			motor 324-326			Flanges	
	f3	L1	Weight	f3	L1	Weight	DNa	DNm
TRVX 1003	457	727	205	-	-	-	4"	4"
TRVX 1005	482	777	218	484	779	216	4"	4"
TRVX 1007	482	777	223	484	779	224	4"	4"

Electric Motors		
Frame size NEMA	RPM 1770 60Hz	
	HP	kW
284TC	25	18.5
286TC	30	22
324TC	40	30
326TC	50	37

Schematic drawing. Dimensions in mm with tolerances according to EN 735-1995 standards. Weights in Kgs, referred to pumps in cast iron without motor, not binding.



Premier Fluid Systems
Canadian Home of Travaini Pumps

4161 Morris Dr. - Unit 5 * Burlington * Ontario * L7L 5L5 * Website: www.pfspumps.com
Tel: 1-800-461-2611 or 905-637-2611 * Fax: 905-333-4722 * email: info@pfspumps.com

DATE : MAR 2012

N°.: 6.54.1