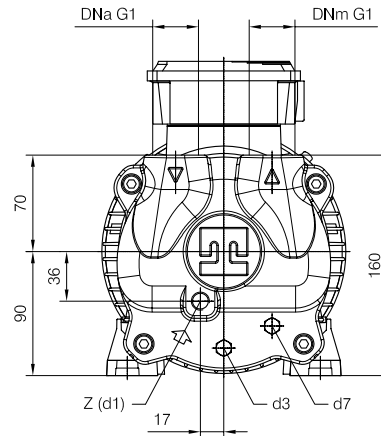
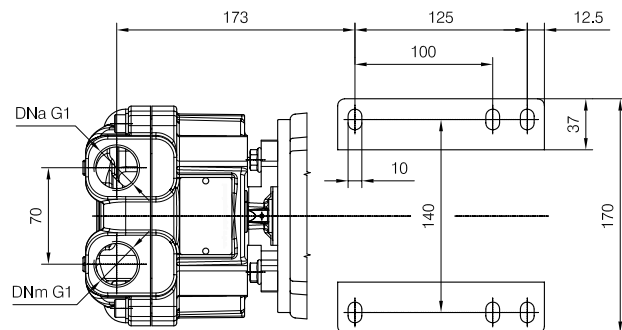
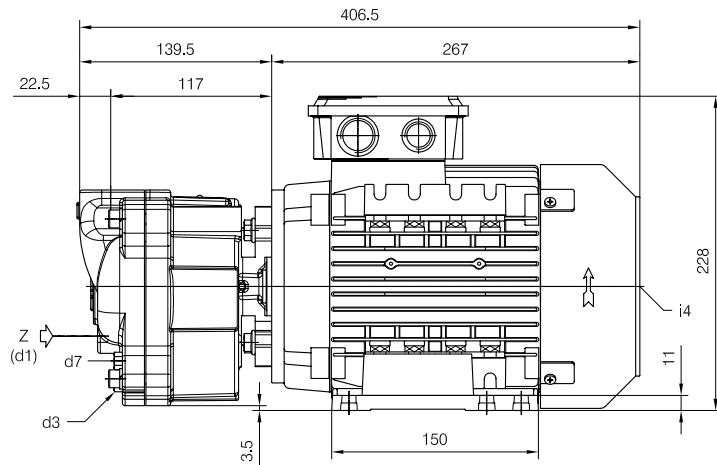


Overall Dimensions



- G1 1" Threaded
- d1 1/4" threaded connection - for liquid supply inlet
- d3 1/8" plugged connection - for pump casing drain
- d7 1/8" plugged connection - for anticavitation valve
- i4 Threaded hole for motor shaft rotation checking

Note : Lt Water quantity at shaft axis in liters
Mi Max Moment of Inertia at start-up

Pump type	Weight	Mi kgm ²	Lt
TRMX 257	25	0.006	0.4

Multi-frequency Electric Motor IP 55 - 2 poles - 50/60 Hz				
Frame size IEC	RPM 2900 50Hz V. 230-400		RPM 3500 60Hz V. 265-460 V. 230-400	
	kW	HP	kW	HP
90 L	2.2	3	2.2	3

Schematic drawing. Dimensions in mm with tolerances according to EN 735-1995 standards.
Weights in Kgs, referred to pumps in cast iron, not binding.



Premier Fluid Systems
Canadian Home of Travaini Pumps

4161 Morris Dr. - Unit 5 * Burlington * Ontario * L7L 5L5 * Website: www.pfspumps.com
Tel: 1-800-461-2611 or 905-637-2611 * Fax: 905-333-4722 * email: info@pfspumps.com

DATE : OCT 2010

N°.: 6.7.4