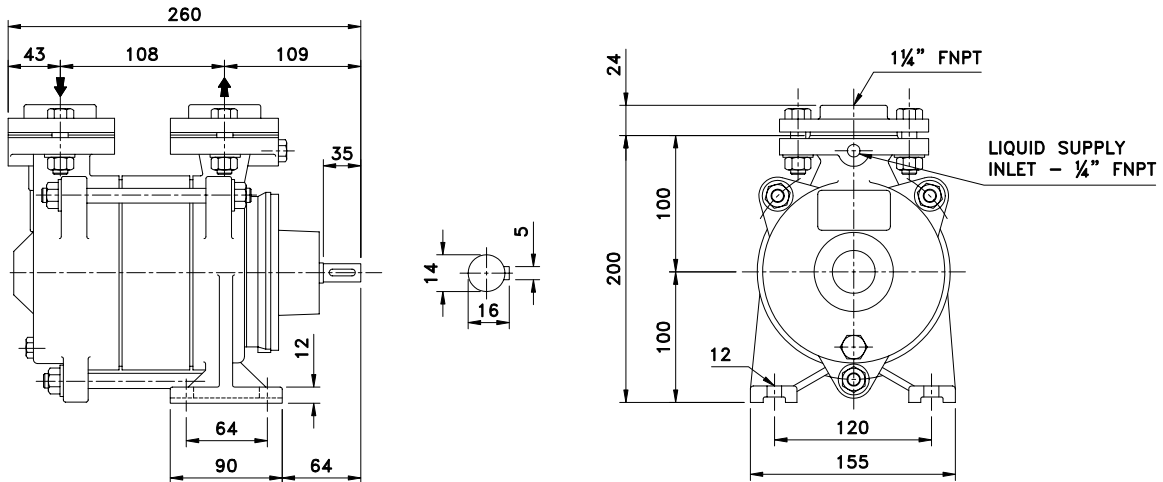
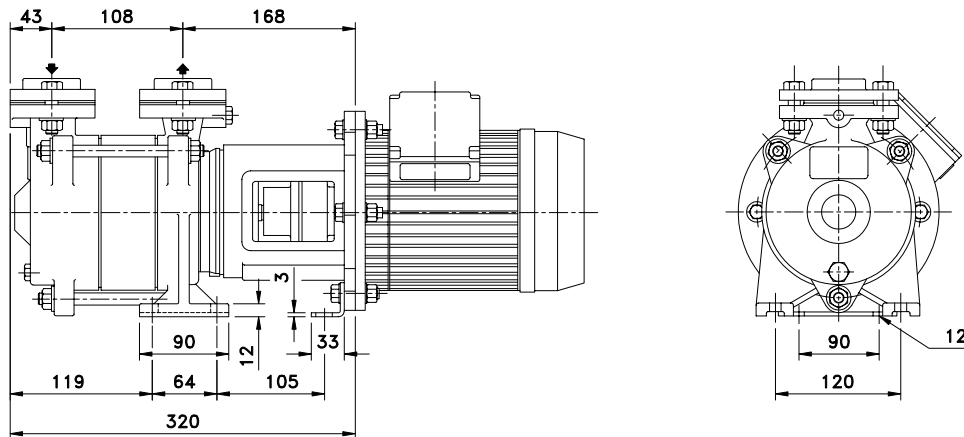


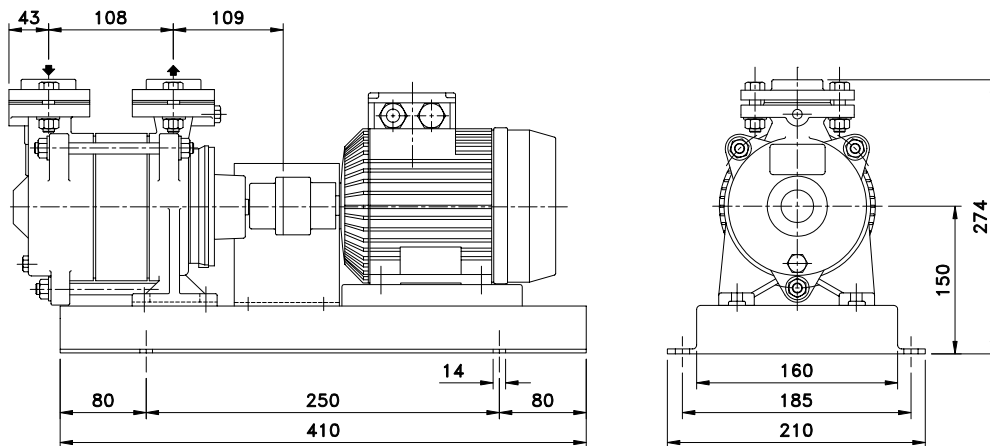
Bareshaft Construction with Mechanical Seal



Close-Coupled Construction with Mechanical Seal



Base-Mounted Construction (Baseplate-Coupling) with Mechanical Seal



4 Poles Motor HP	Baseplate	Weight (Kg.) ¹
3/4 - 1	905	32

¹ Weight without motor
Dimensions in mm



Premier Fluid Systems
Canadian Home of Travaini Pumps

4161 Morris Dr. - Unit 5 * Burlington * Ontario * L7L 5L5 * Website: www.pfspumps.com
Tel: 1-800-461-2611 or 905-637-2611 * Fax: 905-333-4722 * email: info@pfspumps.com

DATE : JUNE 2006

No.: 7.4