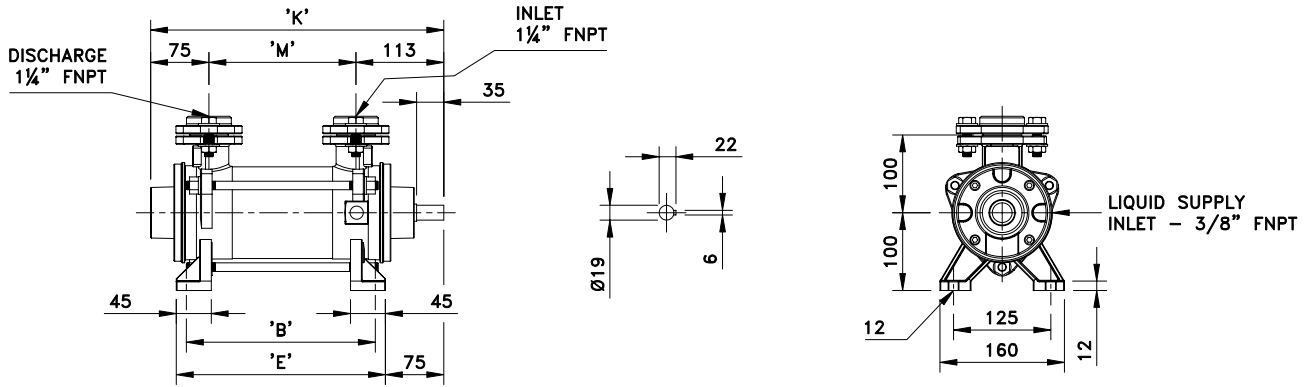
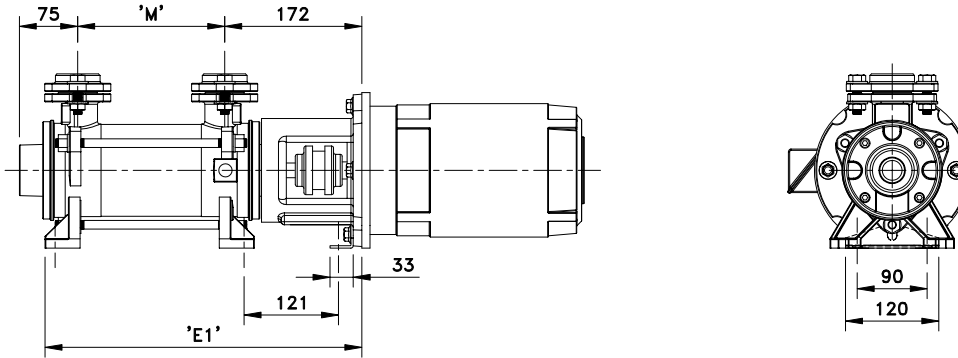


## Bareshaft Construction with Mechanical Seal

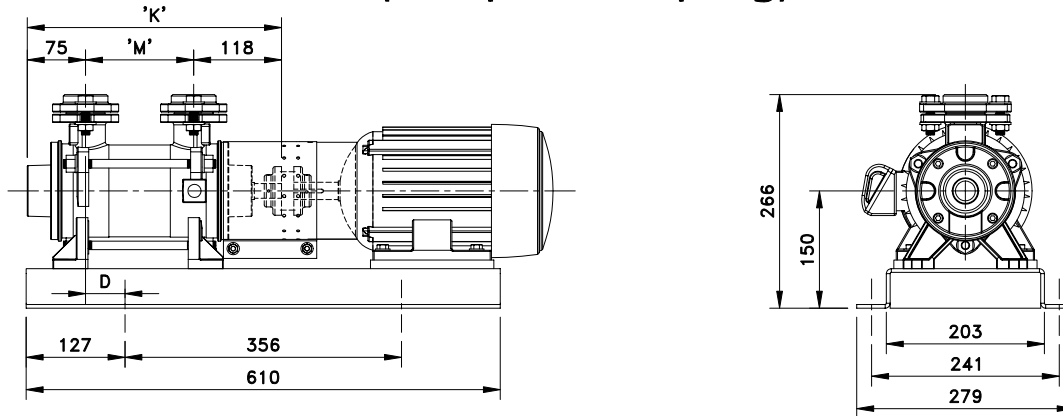


PUMP TYPE	B	E	M	K	WEIGHT (Kg.)
TRHE 32-20/C	193	219	139	327	18
TRHE 32-45/C	243	269	189	377	21

## Close-Coupled Construction with Mechanical Seal



## Base-Mounted Construction (Baseplate-Coupling) with Mechanical Seal



PUMP TYPE	2 POLES MOTOR HP	BASE PLATE	'D'	PUMP 'K'	'M'	'E1'	WEIGHT <sup>1</sup> (Kg.)	WEIGHT <sup>2</sup> (Kg.)
TRHE 32-20/C	1½	902	45	332	139	351	22.5	34
	2							
TRHE 32-45/C	2		75	382	189	401	25.5	37
	3							

<sup>1</sup> Weight without motor (Close-Coupled)  
<sup>2</sup> Weight without motor (Baseplate-Coupling)  
 Dimensions in mm

