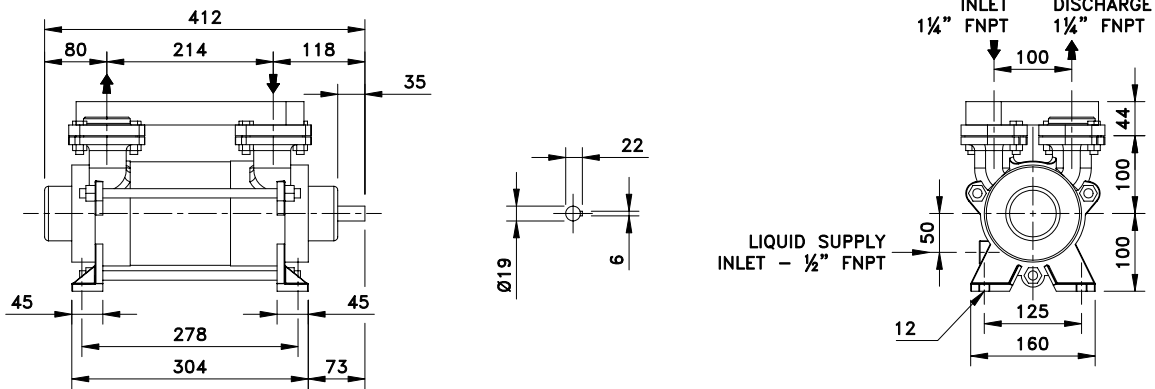
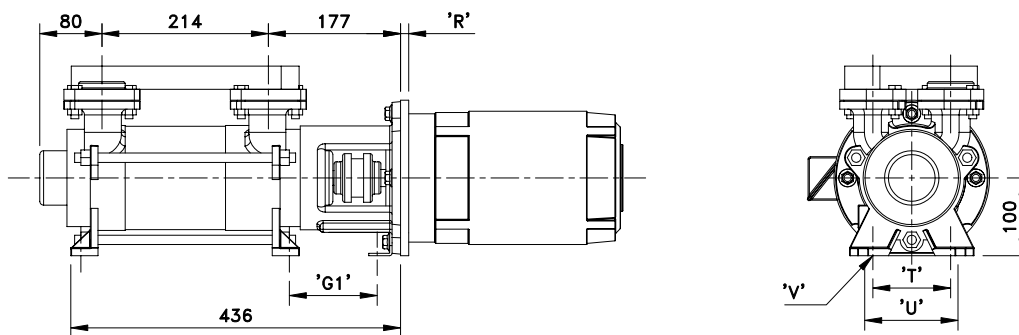


Bareshaft Construction with Mechanical Seal

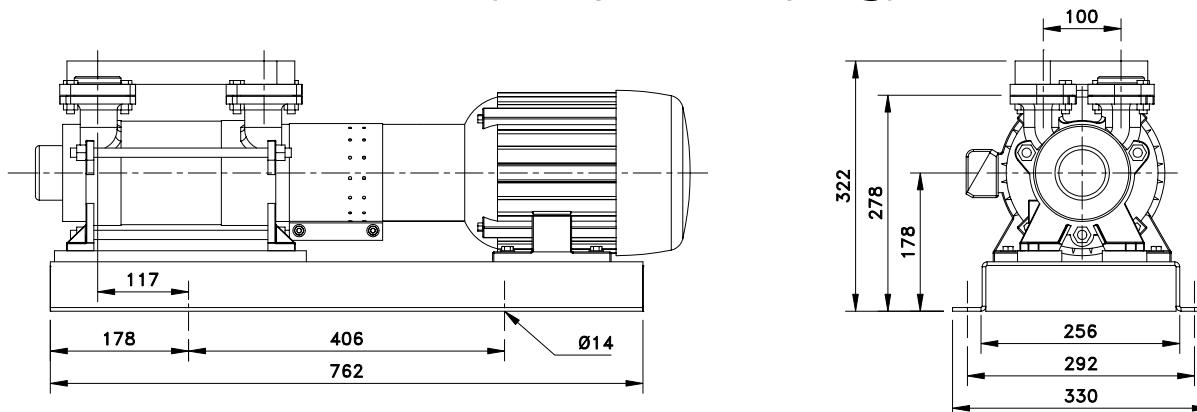


Close-Coupled Construction with Mechanical Seal



PUMP TYPE	MOTOR HP	'G1'	'R'	'T'	'U'	'V'	WEIGHT (Kg.)
TRHE 32-60	3	114	-	90	120	12	31
	5	101	25	110	140	14	35

Base-Mounted Construction (Baseplate-Coupling) with Mechanical Seal



PUMP TYPE	2 POLES MOTOR HP	BASE PLATE	WEIGHT (Kg.)
TRHE 32-60	3	901	43
	5		

Dimensions in mm



Premier Fluid Systems
Canadian Home of Travaini Pumps

4161 Morris Dr. - Unit 5 * Burlington * Ontario * L7L 5L5 * Website: www.pfspumps.com
Tel: 1-800-461-2611 or 905-637-2611 * Fax: 905-333-4722 * email: info@pfspumps.com

DATE : JUNE 2006

No.: 7.12