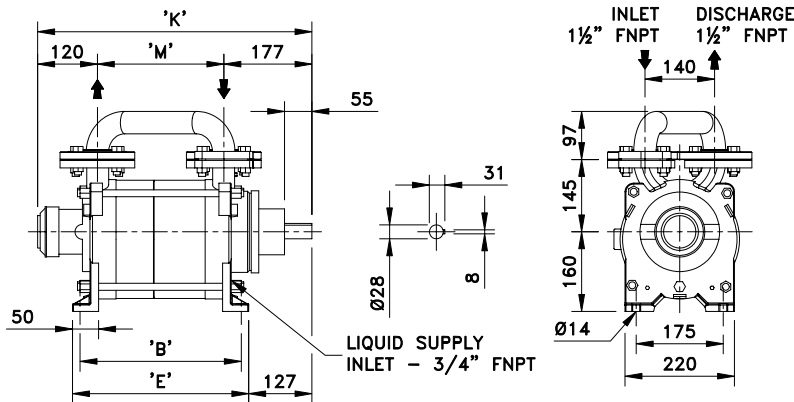
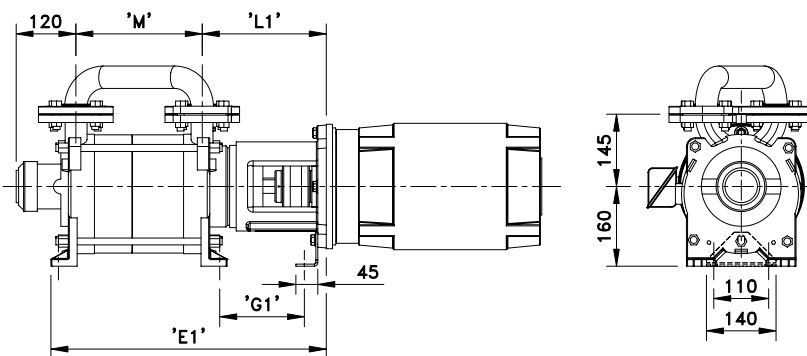


Bareshaft Construction with Mechanical Seal



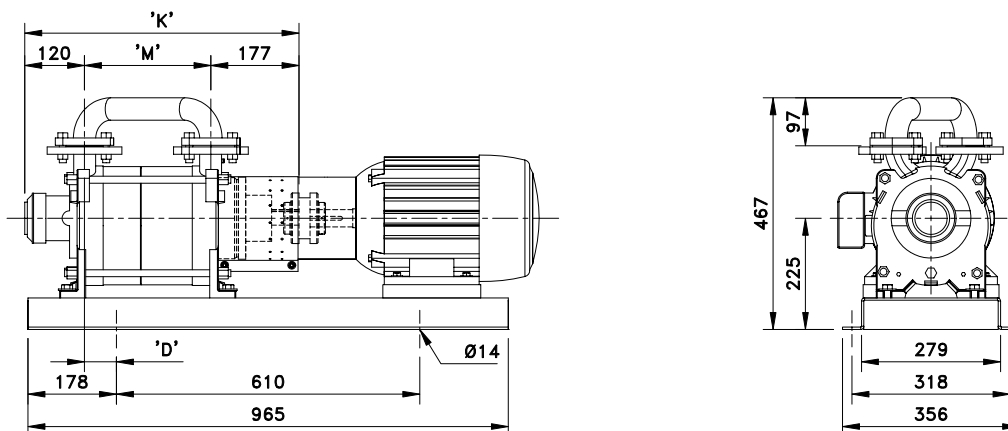
| PUMP TYPE | 'B' | 'E' | 'M' | 'K' | WEIGHT (KG.) |
|---------------|-----|-----|-----|-----|--------------|
| TRHE 40-140/C | 324 | 354 | 254 | 551 | 67 |
| TRHE 40-190/C | 394 | 424 | 324 | 621 | 75 |

Close-Coupled Construction with Mechanical Seal



| PUMP TYPE | 4 POLES MOTOR HP | 'E1' | 'G1' | 'L1' | 'M' | WEIGHT ¹ (KG.) |
|---------------|------------------|------|------|------|-----|---------------------------|
| TRHE 40-140/C | 5 | 552 | 173 | 249 | 254 | 76 |
| | 7½ | 574 | | | | 82 |
| TRHE 40-190/C | 7½ | 644 | 197 | 270 | 324 | 93 |
| | 10 | | | | | |

Base-Mounted Construction (Baseplate-Coupling) with Mechanical Seal



| PUMP TYPE | 4 POLES MOTOR HP | BASE PLATE | 'D' | 'K' | 'M' | WEIGHT ² (KG.) |
|---------------|------------------|------------|-----|-----|-----|---------------------------|
| TRHE 40-140/C | 5 | 900 | 50 | 551 | 254 | 76 |
| | 7½ | | 90 | | | 82 |
| TRHE 40-190/C | 7½ | | 130 | 621 | 324 | 93 |
| | 10 | | | | | |

¹ Weight without motor (Close-Coupled)
² Weight without motor (Baseplate-Coupling)
Dimensions in mm

