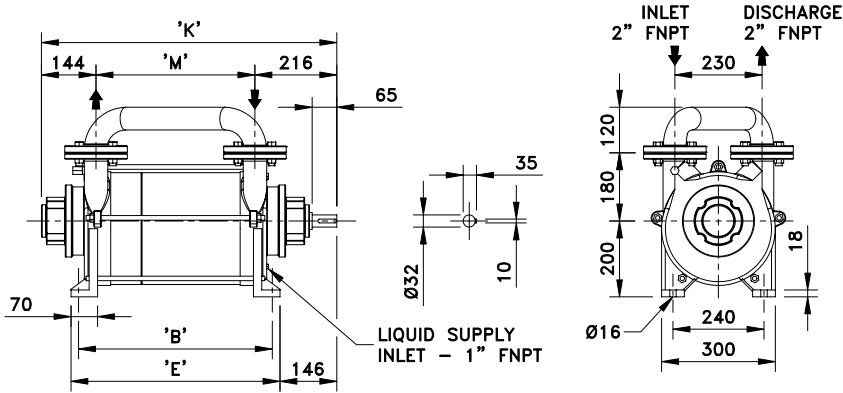


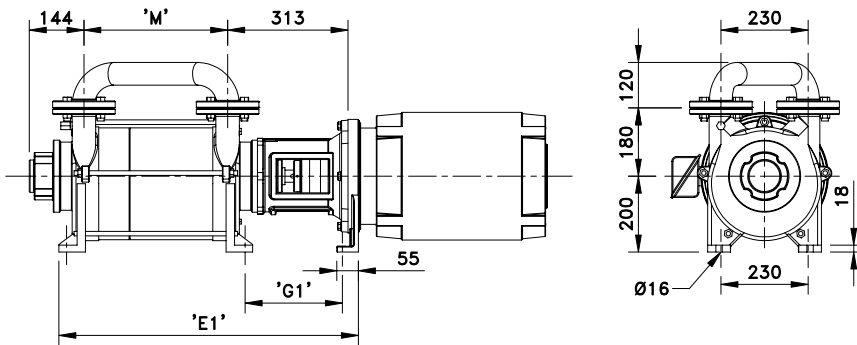
**DIMENSIONAL DRAWING  
LIQUID RING VACUUM PUMP  
TRAVAINI PUMP MODEL  
SERIES TRHB 50**

## Bareshaft Construction with Mechanical Seal



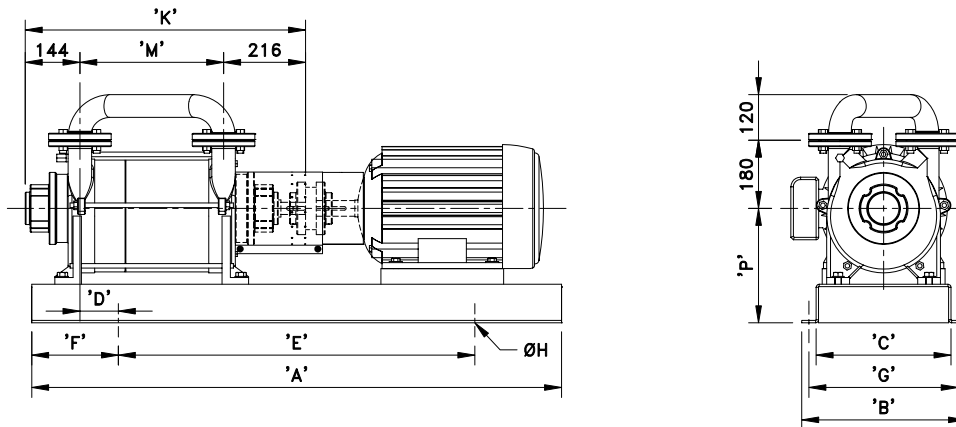
PUMP TYPE	'B'	'E'	'M'	'K'	WEIGHT (KG.)
TRHB 50-280/C	419	459	319	679	130
TRHB 50-340/C	479	519	379	739	140
TRHB 50-420/C	519	559	419	779	145

## Close-Coupled Construction with Mechanical Seal



PUMP TYPE	4 POLES MOTOR HP	'E1'	'M'	WEIGHT <sup>1</sup> (KG.)
TRHB 50-280/C	15	730	319	160
	20			163
TRHB 50-340/C	15	790	379	170
	20			173
TRHB 50-420/C	20	830	419	178
	25			

## Base-Mounted Construction (Baseplate-Coupling) with Mechanical Seal



PUMP TYPE	4 POLES MOTOR HP	BASE PLATE	'A'	'B'	'C'	'D'	'E'	PUMP		'G'	'H'	'K'	'M'	'P'	WEIGHT <sup>2</sup> (KG.)
TRHB 50-280/C	15	903	1168			130	762	203				679	319	290	192
	20														
TRHB 50-340/C	15	906	1397	432	356	50	940	229	394	16		739	379	300	212
	20					100									
TRHB 50-420/C	20	41F	1346	533	419	140	889		483	19		779	419	330	189
	25														

<sup>1</sup> Weight without motor (Close-Coupled)  
<sup>2</sup> Weight without motor (Baseplate-Coupling)  
Dimensions in mm



**Premier Fluid Systems**  
Canadian Home of Travaini Pumps

4161 Morris Dr. - Unit 5 \* Burlington \* Ontario \* L7L 5L5 \* Website: [www.pfspumps.com](http://www.pfspumps.com)  
Tel: 1-800-461-2611 or 905-637-2611 \* Fax: 905-333-4722 \* email: [info@pfspumps.com](mailto:info@pfspumps.com)

**DATE : JUNE 2006**

**No.: 7.28**