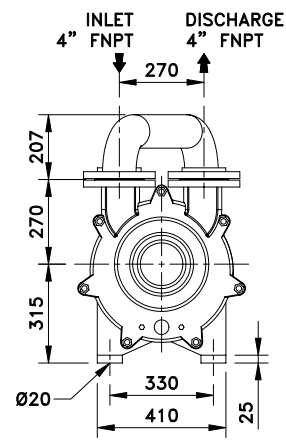
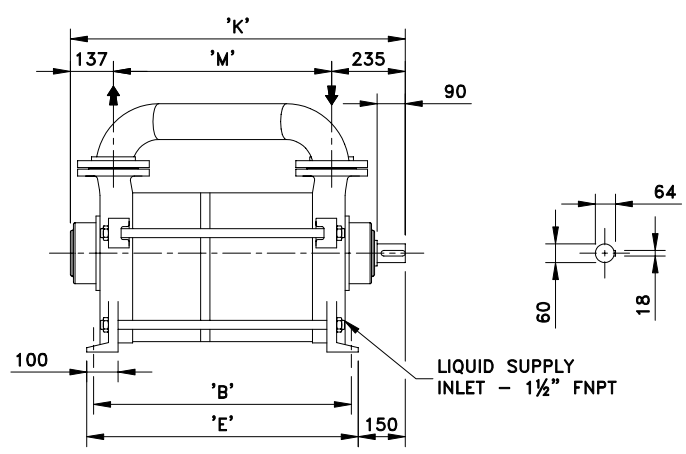
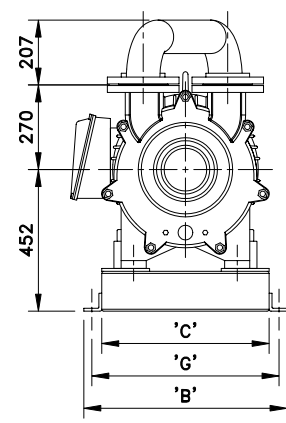
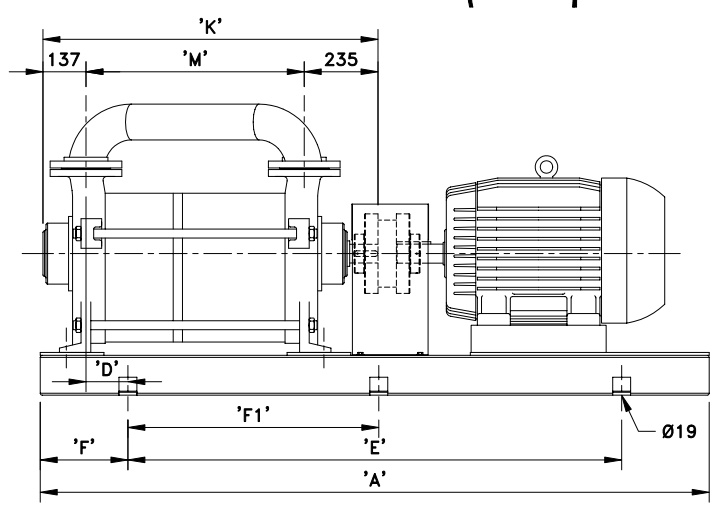


## Bareshaft Construction with Mechanical Seal



PUMP TYPE	'B'	'E'	'M'	'K'	WEIGHT (KG.)
TRHE 100-870/C	672	716	546	918	412
TRHE 100-1260/C	822	866	696	1068	485
TRHE 100-1600/C	922	966	796	1168	518

## Base-Mounted Construction (Baseplate-Coupling) with Mechanical Seal



PUMP TYPE	4 POLES MOTOR HP	BASE PLATE	PUMP										WEIGHT <sup>1</sup> (KG.)	
			'A'	'B'	'C'	'D'	'E'	'F'	'F1'	'G'	'K'	'M'		
TRHE 100-870/C	40	34F	1702	565	451	165	1092	305	-	514	918	546	574	
	50	42F	1797	622	508		1391	203	699	572			572	
	60													584
	75													584
TRHE 100-1260/C	50	39F	2134	648	533	191	1575	279	800	597	1068	696	652	
	60												657	
	75												657	
TRHE 100-1600/C	50					241					1168	796	690	
	60													
	75													
	100													

<sup>1</sup> Weight without motor  
 Dimensions in mm

