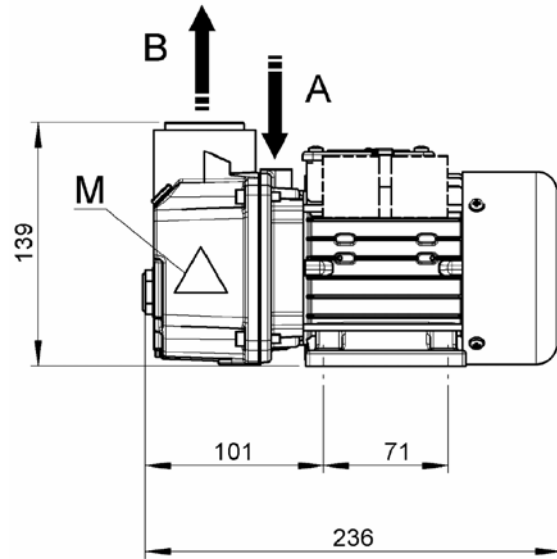
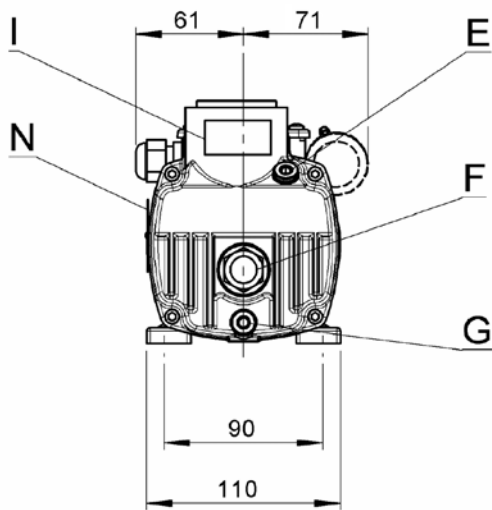
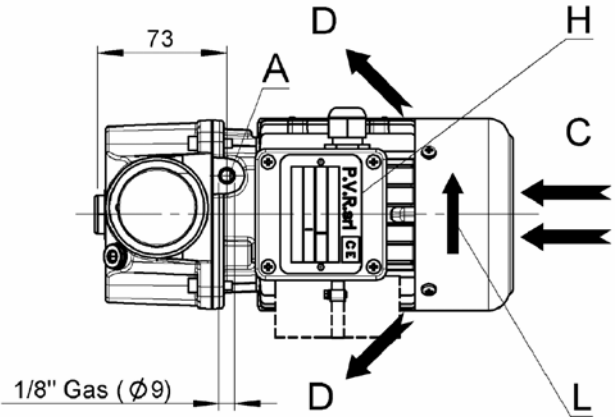
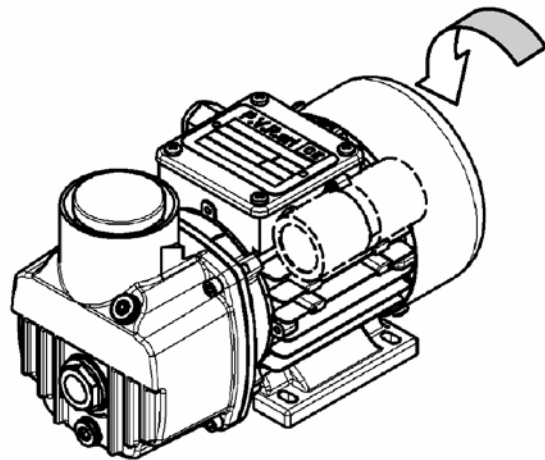


DIMENSIONAL DRAWING  
 ROTARY VANE VACUUM PUMP  
 ROTANT PUMP MODEL

EM-EM/B 4



ITEM	FUNCTION
A	VACUUM INLET
B	EXHAUST
C	COOLING AIR INLET
D	COOLING AIR OUTLET
E	OIL FILL PLUG
F	OIL LEVEL SIGHT GLASS
G	OIL DRAIN PLUG
H	PUMP NAME PLATE
I	OIL GRADE LABEL
L	PUMP ROTATION DIRECTION PLATE
M	HOT SURFACES NAME PLATE
N	ELECTRIC MOTOR PLATE



**Premier Fluid Systems**  
 Canadian Home of Travaini Pumps

4161 Morris Dr. - Unit 5 \* Burlington \* Ontario \* L7L 5L5 \* Website: [www.pfspumps.com](http://www.pfspumps.com)  
 Tel: 1-800-461-2611 or 905-637-2611 \* Fax: 905-333-4722 \* email: [info@pfspumps.com](mailto:info@pfspumps.com)

DATE: Oct 2008

No.: 8.02